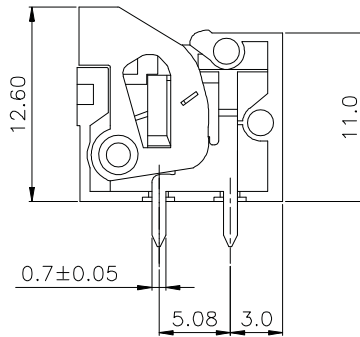
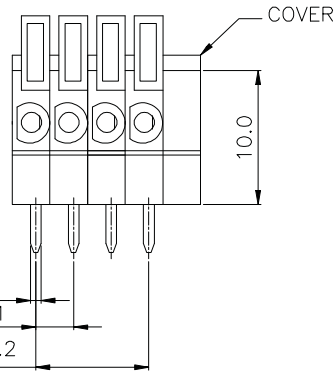
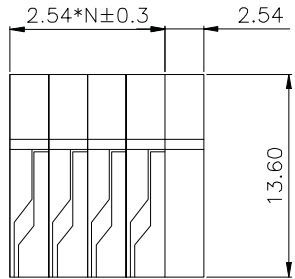
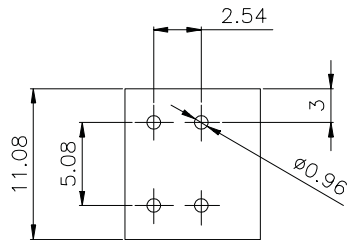


RoHS Compliant Customer Drawing

REV.	ECN NO.	DESCRIPTION	DATE	DESIGN
A	N-			



WITHOUT COVER VIEW

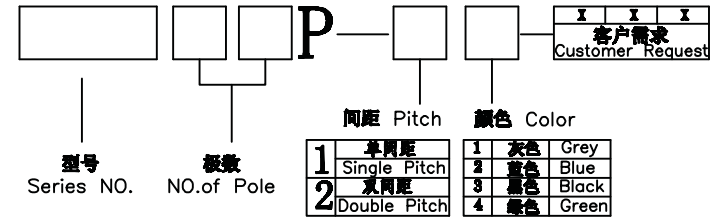


P.C.B.LAYOUT

N=No.of contacts

- MATERIAL  
WIRE GUARD: STAINLESS STEEL(SUB301)  
PIN HEADER : BRASS, TIN PLATED  
HOUSING : PA66, UL94V-0
- ELECTRICAL  
RATED VOLTAGE : 150V  
RATED CURRENT : 2A  
CONTACT RESISTANCE : 20mΩ  
INSULATION RESISTANCE : 5000MΩ/1000V  
WITHSTANDING VOLTAGE : AC2000V/1Min  
WIRE RANGE: 26-20AWG 0.5mm<sup>2</sup>
- MECHANICAL  
TEMP.RANGE : -40℃~+105℃  
MAX SOLDERING : +250℃, FOR 5 SEC.  
STRIP LENGTH: 11mm

订购方式/HOW TO ORDER



Contact Us

TEL: +86 - 574 - 63510149

FAX: +86 - 574 - 63516735

E-Mail: Sales@cxsuteng.com

Website: www.cxsuteng.com

公差一览表 TOLERANCE UNLESS OTHERWISE				慈溪市速腾电子有限公司 CIXI SUTENG ELECTRONIC CO., LTD					
X.	±0.25	X°	±5°	单位 UNITS	mm	制图 DRAWING	No.01	产品名称 TITLE	ST141R-2.54
.X	±0.20	.X°	±2°	角法 VIEW		设计 DESIGN	No.06	产品料号 PART NO.	ST141R-2.54
.XX	±0.15	.XX°	±1°	比例 SCALE	1:1	审核 CHKD		图号 DRAW NO.	ST141R-2.54
.XXX	±0.02	.XXX°	±0.5°	日期 DATE	2012. 07. 10	版本 APPD	AO		ST141R-2.54