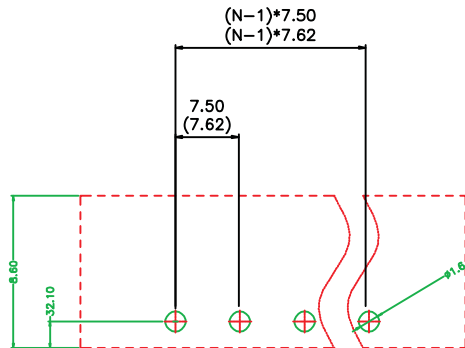
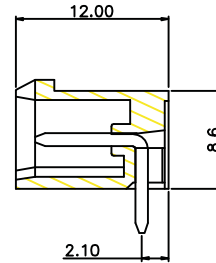
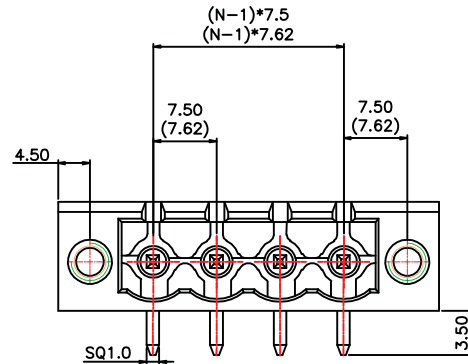


RoHS Compliant Customer Drawing

REV.	ECN NO.	DESCRIPTION	DATE	DESIGN



N=No.of contacts

SPECIFICATION

MATERIAL

Housing:PA66,UL94V-0
Pin Header:Brass,Tin Plated

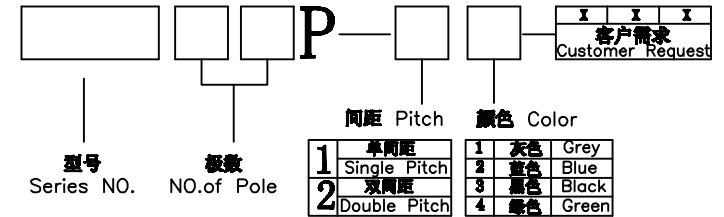
ELECTRICAL

Rated voltage:300V
Rated current: 15A
Withstanding voltage: AC4000V/ 1min

MECHANICAL

Operating Temperature:-40°C~+105°C

订购方式/HOW TO ORDER



Contact Us

TEL:+86 - 574-63510149

FAX:+86-574-63516735

E-Mail:Sales@cxsuteng.com

Website:www.cxsuteng.com

公差一览表				慈溪市速腾电子有限公司					
TOLERANCE UNLESS OTHERWISE				SUTOWN CIXI SUTENG ELECTRONIC CO., LTD					
X.	±0.25	X°	±5°	单位	mm	制图	No.01	产品名称	ST2EDGRCM-7.5/7.62
.X	±0.20	.X°	±2°	UNITS	mm	DRAWING	No.06	NAME	
.XX	±0.15	.XX°	±1°	角法	角法	设计		产品料号	ST2EDGRCM-7.5/7.62
.XXX	±0.02	.XXX°	±0.5°	VIEW	1:1	DESIGN		PART NO.	
日期	2012.07.10	版本	A0	SCALE	1:1	审核		图号	ST2EDGRCM-7.5/7.62
DATE	2012.07.10	VER	A0	APPD		核准		DRAW NO.	